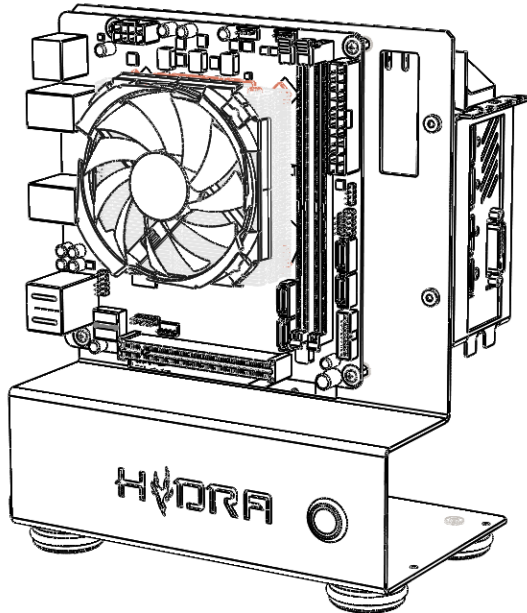
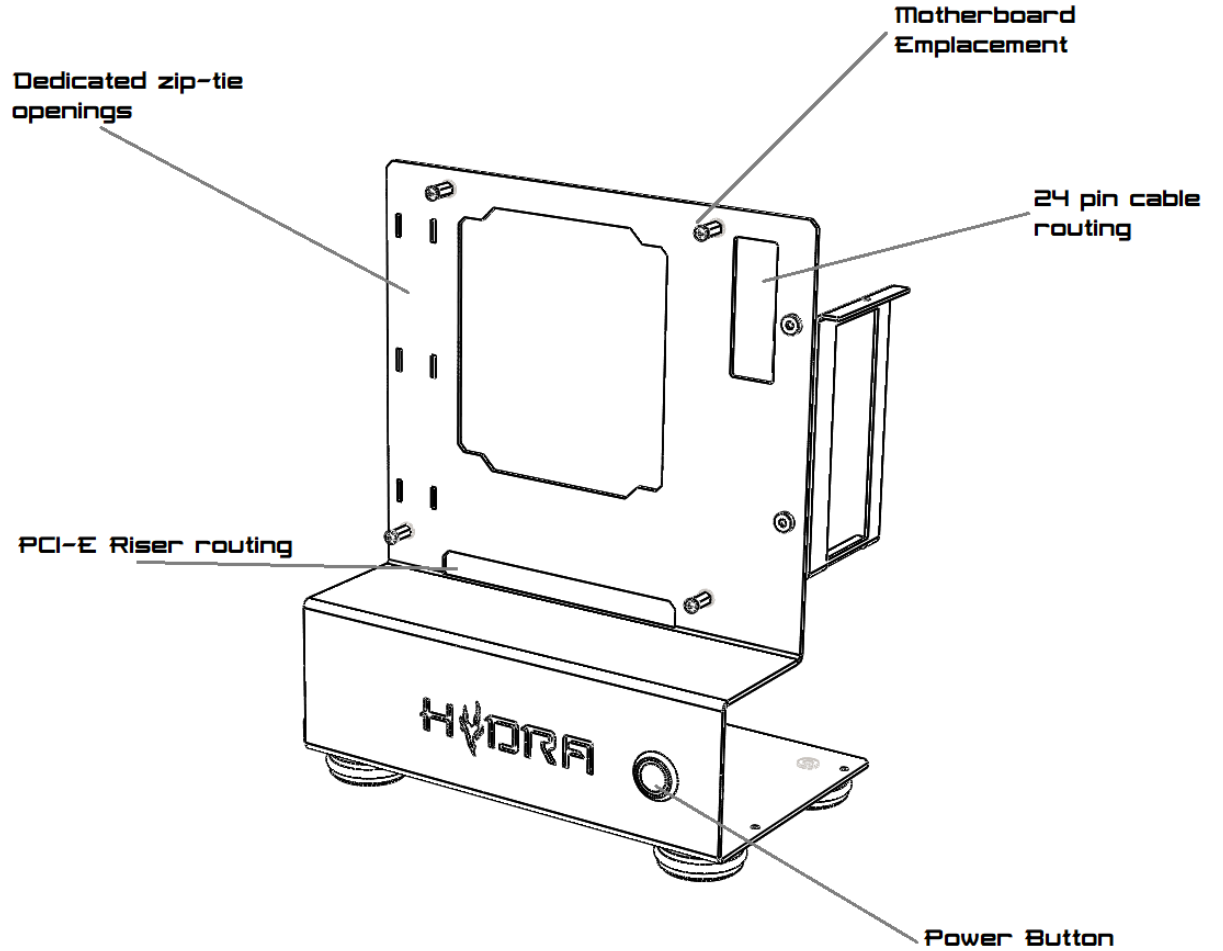
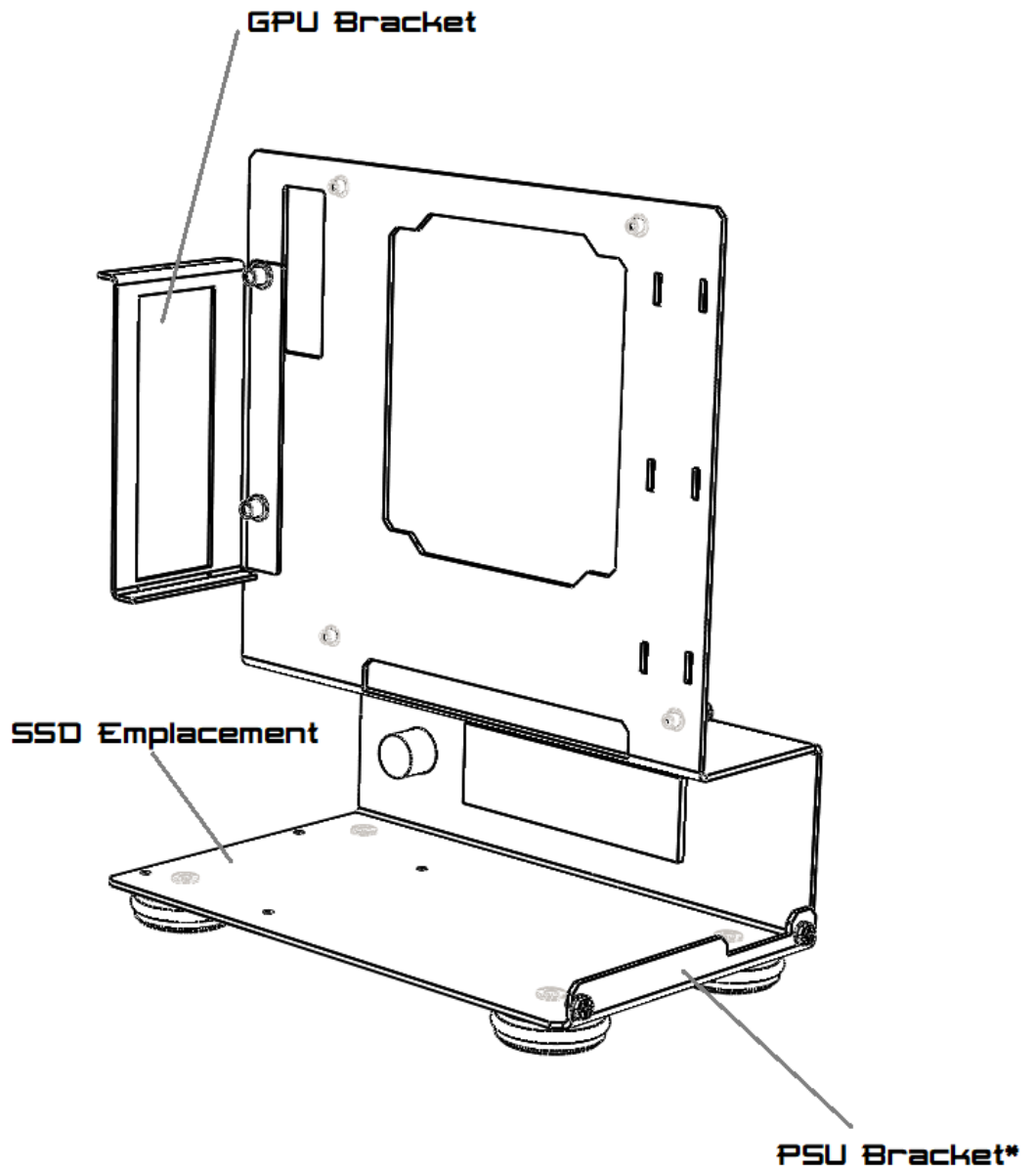
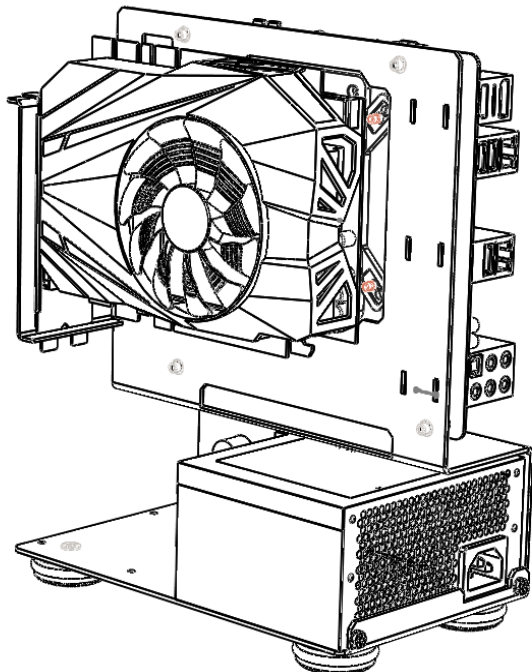


Hydra Mini User Manual





*Depending on your SFX PSU hole layout you may only find yourself using one of two mounting holes



Please note that some power supplies have the power switch button inverted: in these cases, please use the provided standoffs to distance the PSU from the mounting bracket.